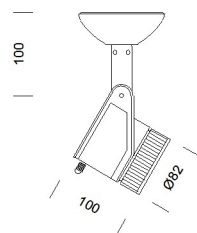


Cast "A" - POWERLED 10°



Code	Gear	Base	Volt	Watt	Kg	Colour	Dimensions	Total Installed Power Capacity
22400074-00	CLD CELL	GU10	230	LED POWERLED white 2.5	0.60	met. silver	100x82x182	2,5
22400074-71	CLD CELL	GU10	230	LED POWERLED blue 2.5	0.60	met. silver	100x82x182	2,5
22400074-72	CLD CELL	GU10	230	LED POWERLED red 2.5	0.60	met. silver	100x82x182	2,5
22400074-73	CLD CELL	GU10	230	LED POWERLED yellow 2.5	0.60	met. silver	100x82x182	2,5
22400074-74	CLD CELL	GU10	230	LED POWERLED green 2.5	0.60	met. silver	100x82x182	2,5

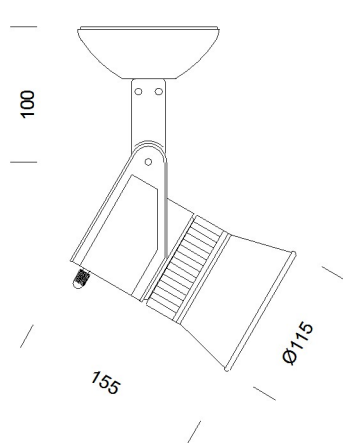
Cast addresses today's light engineering needs - for artworks, trade fairs, architectural applications, whenever the goal is to enhance the form and volume of illuminated objects. More than a product, it is a "family of light". Achievement of quality lighting and high technical performance are the key features of the "CAST" project.

Housing: Die-cast aluminium with cooling holes.

Coating: Powder coated with polyester epoxy paint, UV-resistant.

Regulations: Manufactured in accordance with standards EN60598 – CEI 34 –21. Degree of protection in accordance with standards EN60529.

Cast PAR20 LED



Code	px no. pack.	Gear	Kg	Watt	Colour	Dimensions
22400170-00	1	CLD S+L	1.00	LED POWERLED white	met. silver	155x115x100 Ø115

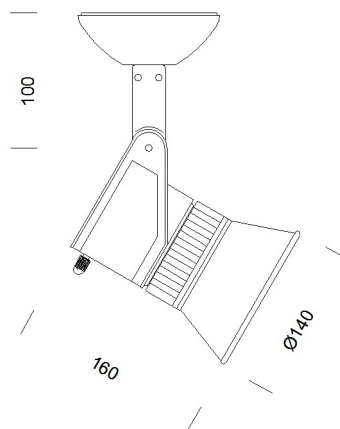
Housing: Die-cast aluminium with cooling holes.

Coating: Powder coated with polyester epoxy paint, UV-resistant.

Regulations: Manufactured in accordance with standards EN60598 – CEI 34 –21. Degree of protection in accordance with standards EN60529.

Complete with LED PAR20 - 4W tot. 25° - 5500K

Cast PAR38 LED



Code	px no. pack.	Gear	Kg	Watt	Colour	Dimensions
22400571-00	1	CLD SL	2.00	LED POWERLED white	met. silver	160x140x110 Ø140

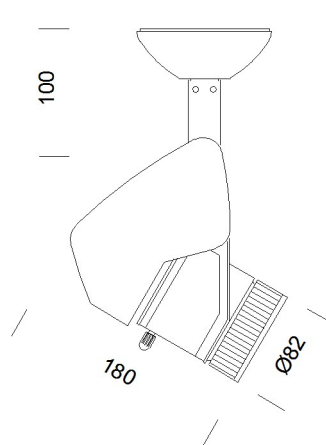
Housing: Die-cast aluminium with cooling holes.

Coating: Powder coated with polyester epoxy paint, UV-resistant .

Regulations: Manufactured in accordance with standards EN60598 – CEI 34 –21. Degree of protection in accordance with standards EN60529.

Complete with LED PAR38 da 12W tot. - 1250lm - 25° - 4200K

Cast "A+B" - POWERLED 60°



Code	px no. pack.	Gear	Kg	Watt	Colour	Total Installed Power Capacity	Lamps
22400216-00	1	CLD CTL	1.10	LED white 3X1.2W	white	3,5	4000K - 282lm - 60°
22400277-00	1	CLD CTL	1.10	LED white 3X1.2W	met. silver	3,5	4000K - 282lm - 60°
22400212-00	1	CLD CTL	1.10	LED white 3x3W	white	9	3000K - 411lm - 60°
22400272-00	1	CLD CTL	1.10	LED white 3x3W	met. silver	9	3000K - 411lm - 60°

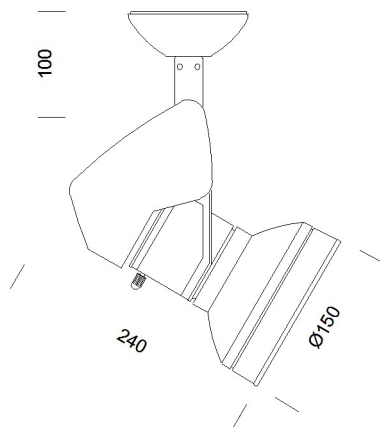
Cast addresses today's light engineering needs - for artworks, trade fairs, architectural applications, whenever the goal is to enhance the form and volume of illuminated objects. More than a product, it is a "family of light". Achievement of quality lighting and high technical performance are the key features of the "CAST" project.

Housing: Die-cast aluminium with cooling holes.

Coating: Powder coated with polyester epoxy paint, UV-resistant.

Regulations: Manufactured in accordance with standards EN60598 – CEI 34 –21. Degree of protection in accordance with standards EN60529.

Cast "A+B+C" - ESALED



Code	px no. pack.	Gear	Kg	Watt	Colour	Total Installed Power Capacity	Lamps
22401373-00	1	CLD CTL	2.60	ESALED	met. silver	16,8	3000K - 890lm - 10°
22401374-00	1	CLD CTL	2.60	ESALED	met. silver	16,8	3000K - 890lm - 25°
22401375-00	1	CLD CTL	2.60	ESALED	met. silver	16,8	3000K - 890lm - 40°
22401370-00	1	CLD CTL	2.60	ESALED	met. silver	16,8	4000K - 1020lm - 10°
22401371-00	1	CLD CTL	2.60	ESALED	met. silver	16,8	4000K - 1020lm - 25°
22401372-00	1	CLD CTL	2.60	ESALED	met. silver	16,8	4000K - 1020lm - 40°

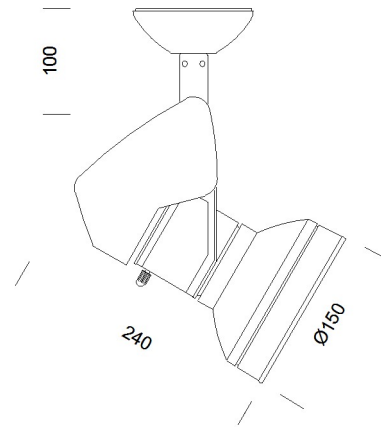
Cast addresses today's light engineering needs - for artworks, trade fairs, architectural applications, whenever the goal is to enhance the form and volume of illuminated objects. More than a product, it is a " family of light" . Achievement of quality lighting and high technical performance are the key features of the " CAST" project.

Housing: Die-cast aluminium with cooling holes.

Coating: Powder coated with polyester epoxy paint, UV-resistant .

Regulations: Manufactured in accordance with standards EN60598 – CEI 34 –21. Degree of protection in accordance with standards EN60529.

Cast "A+B+C" - ESALED 60°



Code	px no. pack.	Gear	Kg	Watt	Colour	Total Installed Power Capacity	Lamps
22401377-00	1	CLD CTL	2.60	ESALED	met. silver	16,8	3000K - 890lm - 60°
22401376-00	1	CLD CTL	2.60	ESALED	met. silver	16,8	4000K - 1020lm - 60°

Cast addresses today's light engineering needs - for artworks, trade fairs, architectural applications, whenever the goal is to enhance the form and volume of illuminated objects. More than a product, it is a "family of light". Achievement of quality lighting and high technical performance are the key features of the "CAST" project.

Housing: Die-cast aluminium with cooling holes.

Coating: Powder coated with polyester epoxy paint, UV-resistant.

Regulations: Manufactured in accordance with standards EN60598 – CEI 34 –21. Degree of protection in accordance with standards EN60529.